

6

5

4

3

2

1

REVISION RECORD			
LTR	ECO NO:	APPROVED:	DATE:

REVISION RECORD

RC01	First Release	2021-10-24
RC02	FMU PWM and IO PWM OutPut change to two side entry JST-GH connectors	2021-11-20
RC03	All JST-GH Connectors change to top entry Add R5 22_ohm to solve CAN Issue	2021-12-28
RC04	Add U1 MS5611(reserve, not install)	2022-01-10

COMPANY: Holypro			
TITLE: FMUVX-BASE-MINI			
CODE: 027	SIZE: A2	DRAWING NO: REVISIONS	REV: RC04
SCALE: 1:1			SHEET: 1 of 11

DRAWN: Jamming	DATED: 2022/1/10
CHECKED: Jamming	DATED: 2022/1/10
QUALITY CONTROL: Jamming	DATED: 2022/1/10
RELEASED: Jamming	DATED: 2022/1/10

D

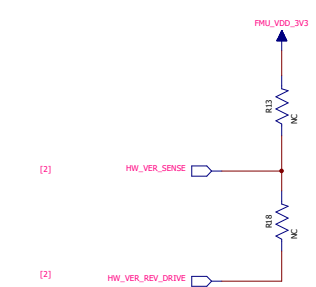
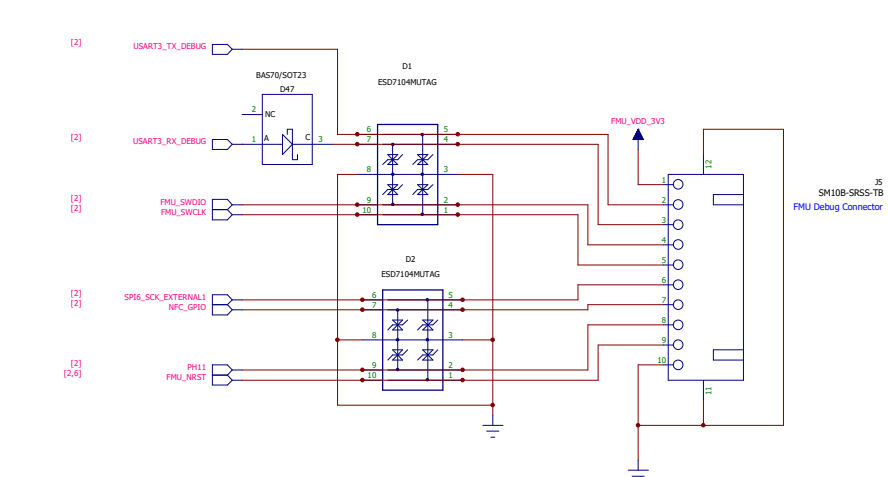
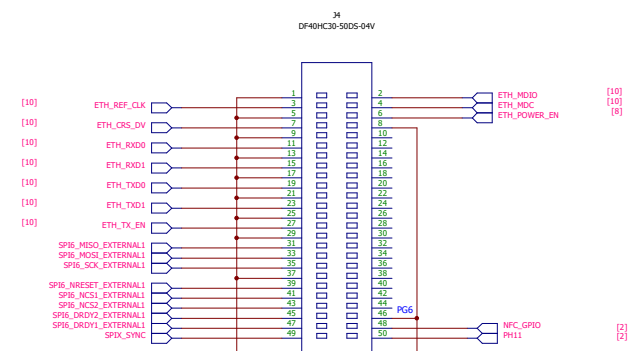
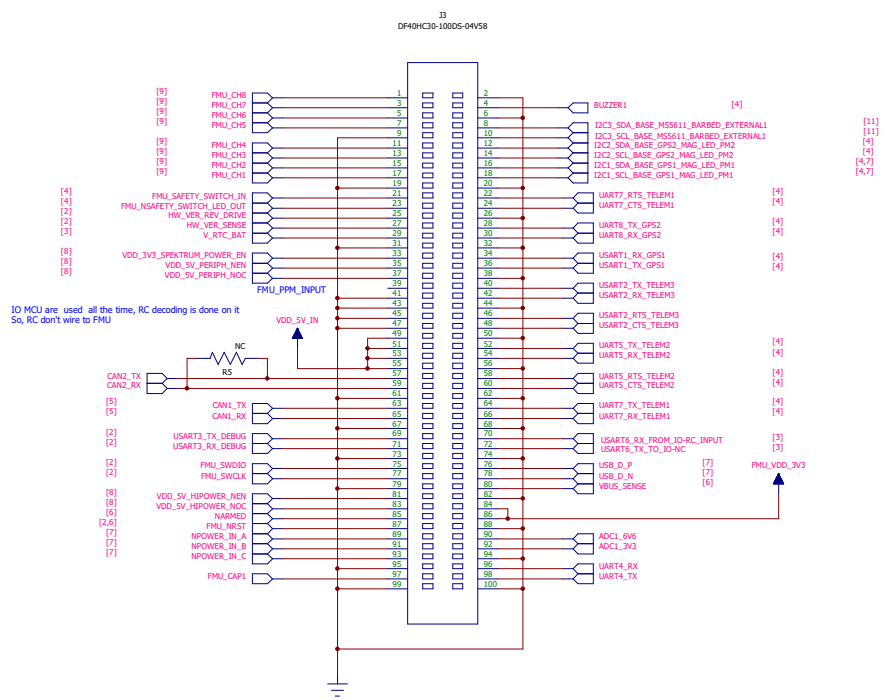
C

B

A

A

REVISION RECORD			
LTR	ECO NO:	APPROVED:	DATE:

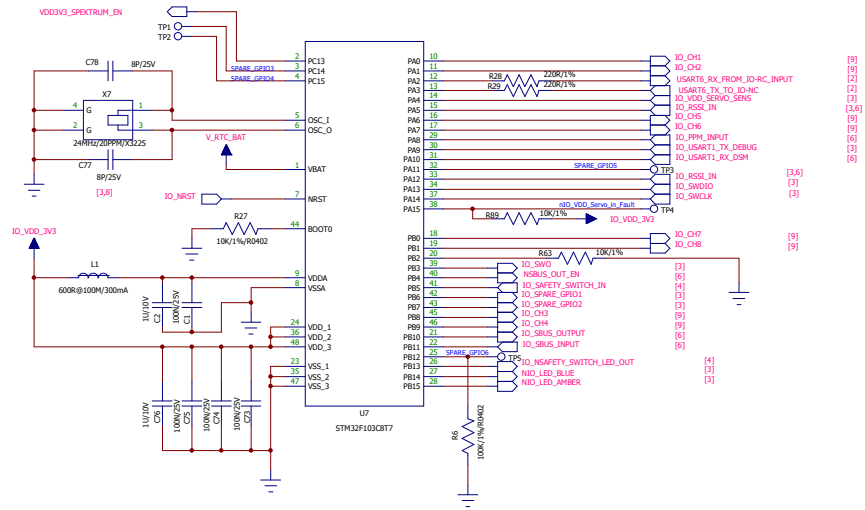


COMPANY: **Holybro**

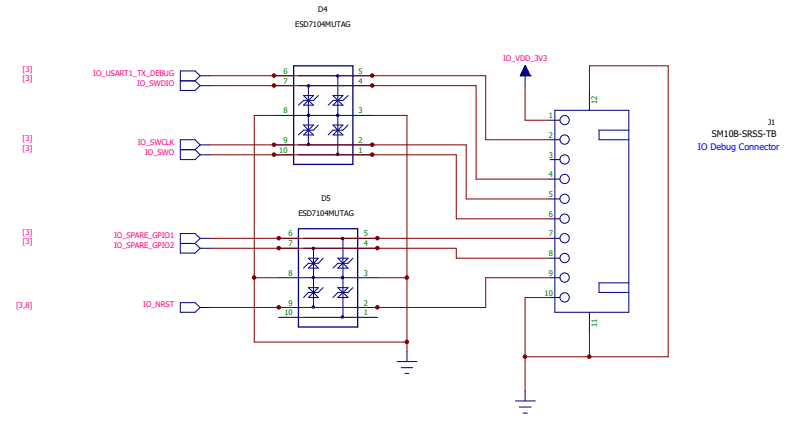
Sheet: **FMUVX-BASE-MINI**

DRAWN: Jamming	DATED: 2022/1/10	CODE: 027	SIZE: A2	Sheet: PAB and PPB	REV: RC04
CHECKED: Jamming	DATED: 2022/1/10				
QUALITY CONTROL: Jamming	DATED: 2022/1/10	SCALE: 1:1			SHEET: 2 OF 11
RELEASED: Jamming	DATED: 2022/1/10				

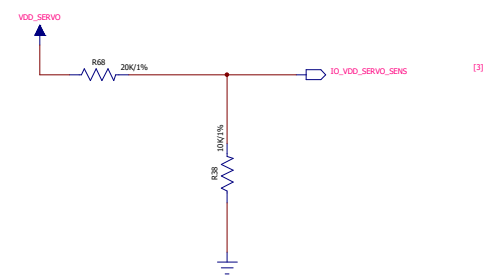
REVISION RECORD			
LTR	ECO NO:	APPROVED:	DATE:



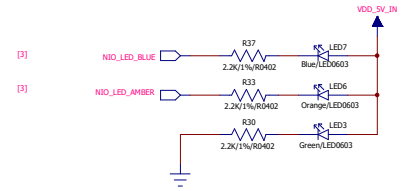
[9]
[2]
[2]
[2]
[3]
[3,6]
[9]
[9]
[6]
[3]
[3]
[9]
[9]
[3]
[3]
[9]
[9]



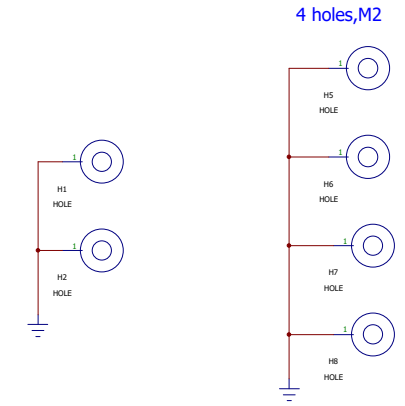
[3]
[3]
[3]
[3]
[3]
[3,8]



[3]



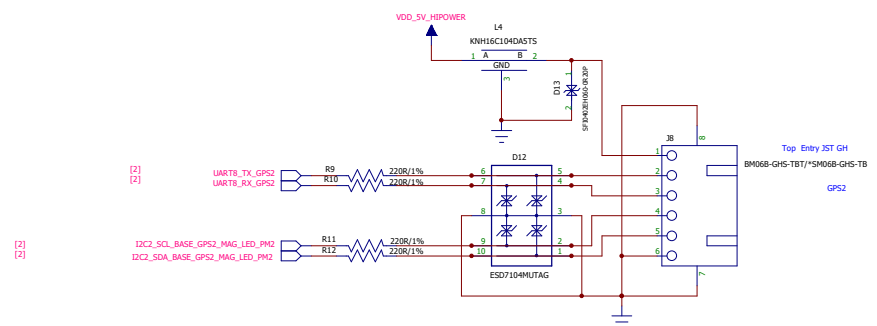
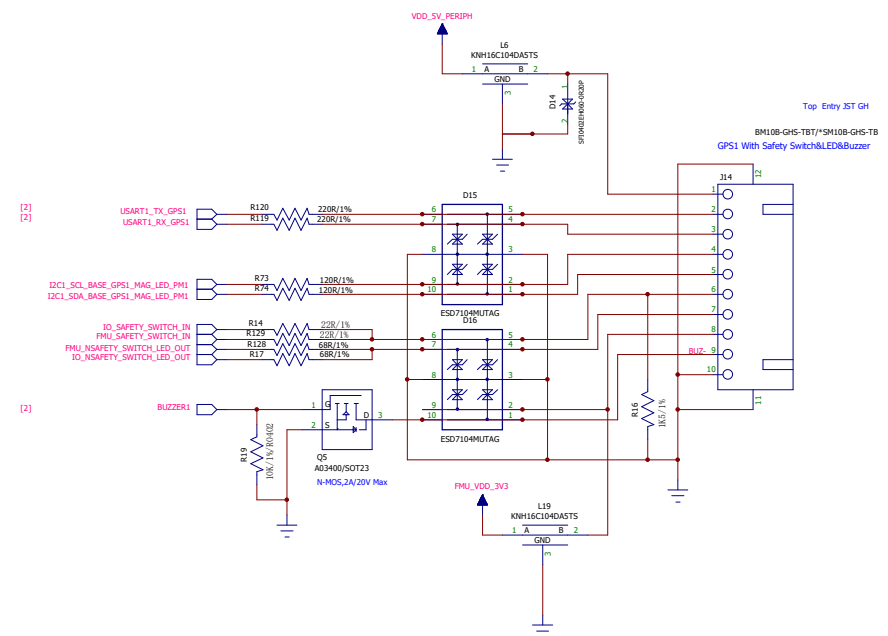
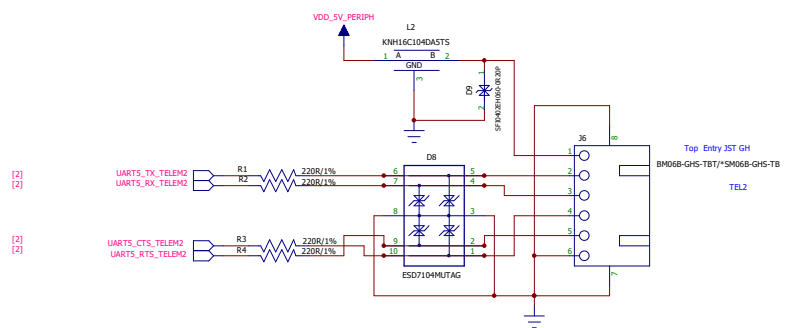
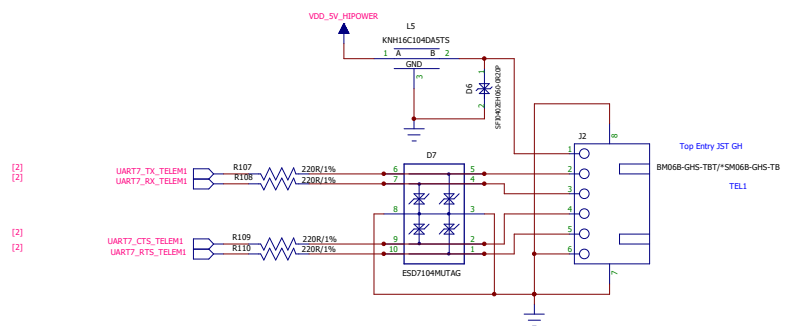
[3]
[3]



4 holes, M2

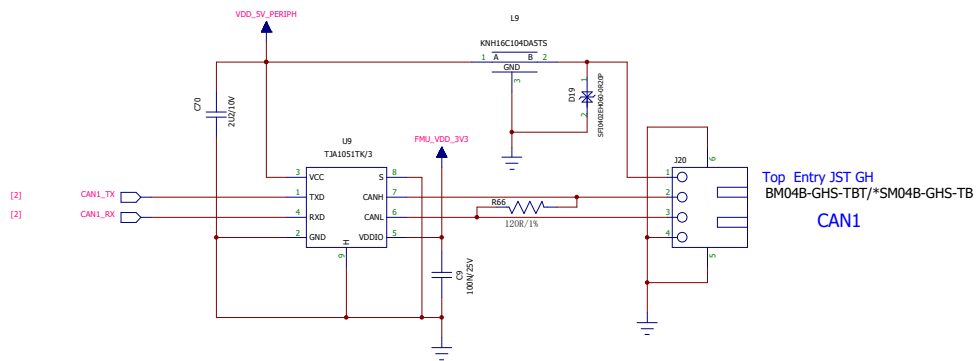
COMPANY:		Holybro		
TITLE:		FMUVX-BASE-MINI		
DRAWN:	Jamming	DATED:	2022/1/10	
CHECKED:	Jamming	DATED:	2022/1/10	
QUALITY CONTROL:	Jamming	DATED:	2022/1/10	
RELEASED:	Jamming	DATED:	2022/1/10	
CODE:	027	SIZE:	A2	Sheet:
		IO MCU STM32F103		REV:
				RC04
SCALE: 1:1			SHEET: 3 OF 11	

REVISION RECORD			
LTR	ECO NO:	APPROVED:	DATE:



COMPANY:		Holybro		
TITLE:		FMUVX-BASE-MINI		
DRAWN:	DATED:	CODE:	SIZE:	Sheet:
Jamming	2022/1/10	027	A2	UART and GPS Connectors
CHECKED:	DATED:	SCALE:	SHEET:	REV:
Jamming	2022/1/10	1:1	4 of 11	RC04
QUALITY CONTROL:	DATED:			
Jamming	2022/1/10			
RELEASED:	DATED:			
Jamming	2022/1/10			

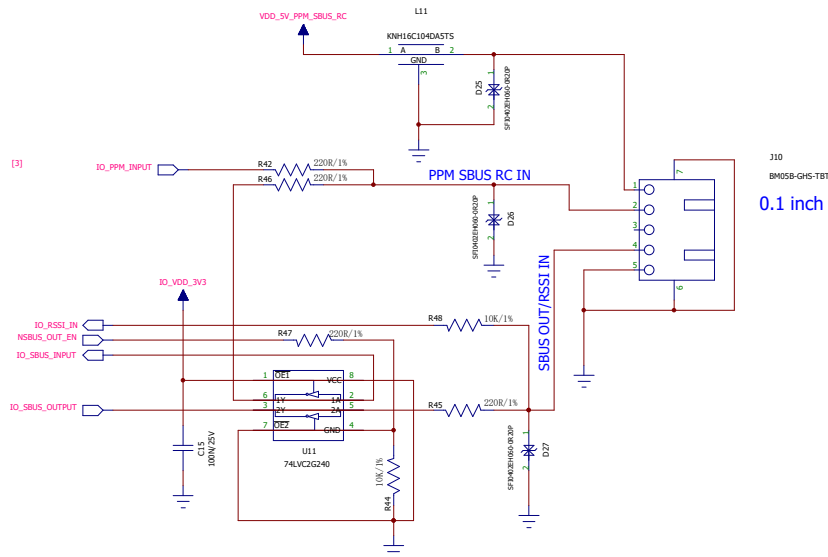
REVISION RECORD			
LTR	ECO NO:	APPROVED:	DATE:



Top Entry JST GH
 BM04B-GHS-TBT/*SM04B-GHS-TB
 CAN1

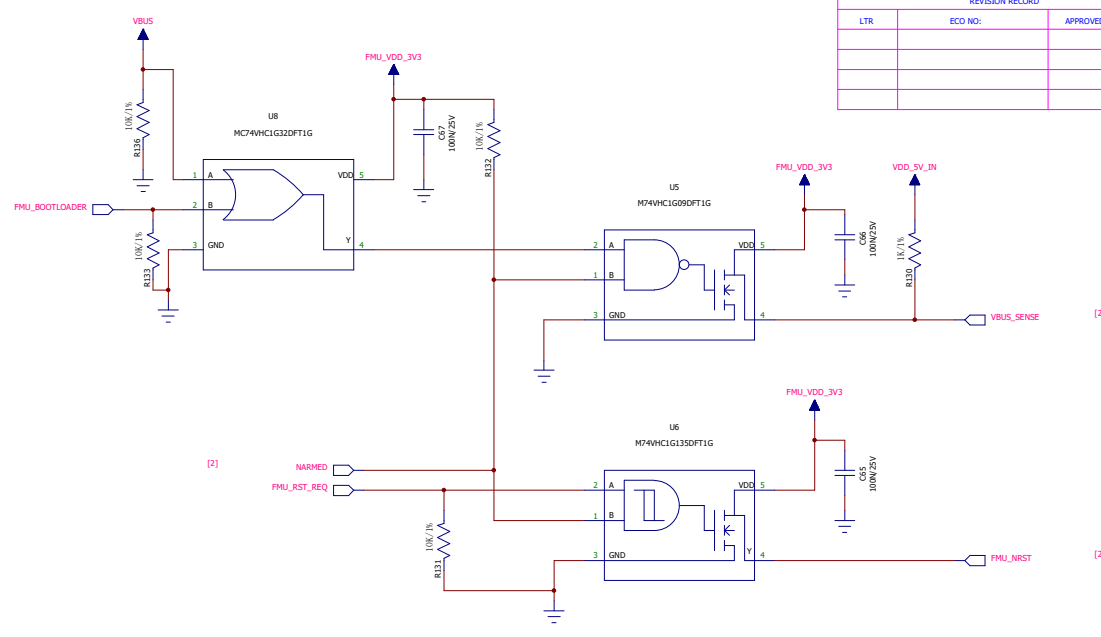
COMPANY:				Holybro			
Sheet:				FMUVX-BASE-MINI			
DRAWN:	Jamming	DATED:	2022/1/10	CODE:	SIZE:	Sheet:	REV:
CHECKED:	Jamming	DATED:	2022/1/10	027	A2	CAN and SPI bus	RC04
QUALITY CONTROL:	Jamming	DATED:	2022/1/10	SCALE: 1:1			
RELEASED:	Jamming	DATED:	2022/1/10	SHEET: 5 OF 11			

REVISION RECORD			
LTR	ECO NO:	APPROVED:	DATE:



J10
BM05B-GHS-TBT
0.1 inch

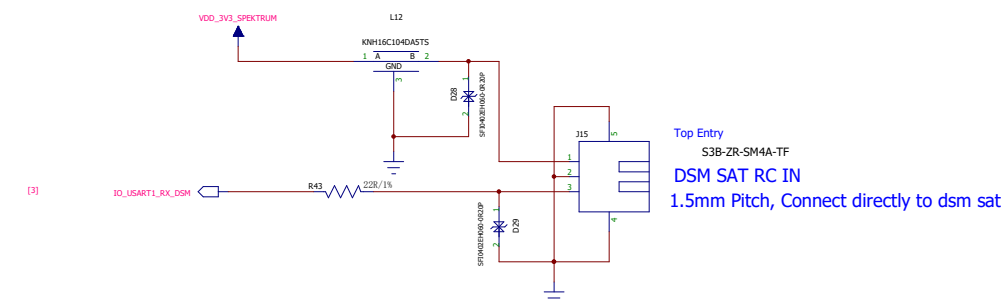
Most PPM/SBUS RC are 3PIN 0.1 inch connector
FMUV2 Style RC connectors are more popular



[2]

[2]

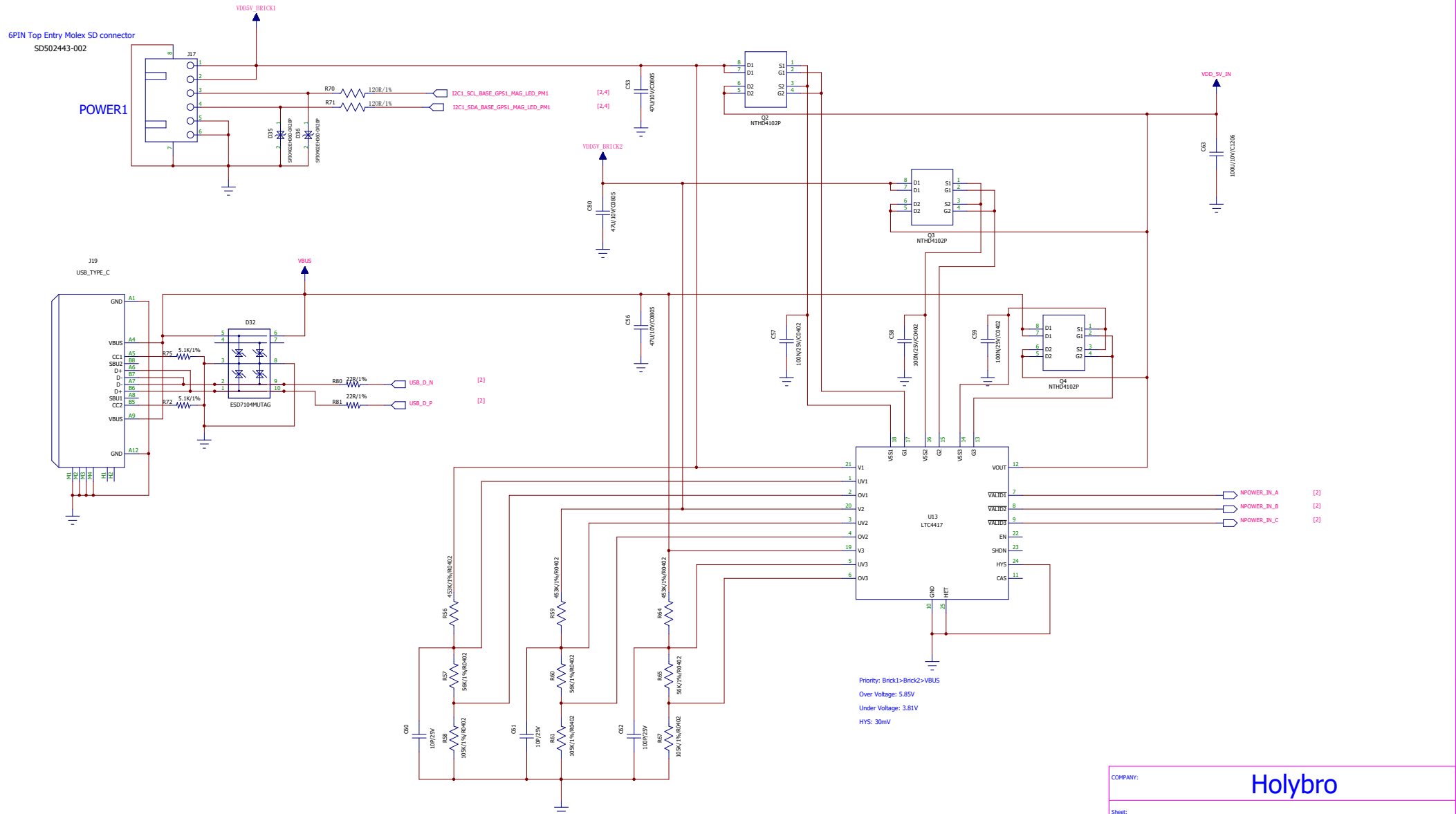
[2]



Top Entry
S3B-ZR-SM4A-TF
DSM SAT RC IN
1.5mm Pitch, Connect directly to dsm sat

COMPANY: Holybro			
Sheet: FMUVX-BASE-MINI			
DRAWN: Jamming	DATED: 2022/1/10	CODE: 027	SIZE: A2
CHECKED: Jamming	DATED: 2022/1/10	Sheet: RC and ADIO	REV: RC04
QUALITY CONTROL: Jamming	DATED: 2022/1/10	SCALE: 1:1	SHEET: 6 OF 11
RELEASED: Jamming	DATED: 2022/1/10		

REVISION RECORD			
LTR	ECO NO:	APPROVED:	DATE:



Priority: Brick1>Brick2>VBUS
 Over Voltage: 5.85V
 Under Voltage: 3.81V
 HYS: 30mV

COMPANY: **Holybro**

Sheet: **FMUVX-BASE-MINI**

Drawn: **Jamming** DATED: **2022/1/10**

Checked: **Jamming** DATED: **2022/1/10**

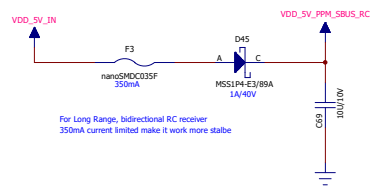
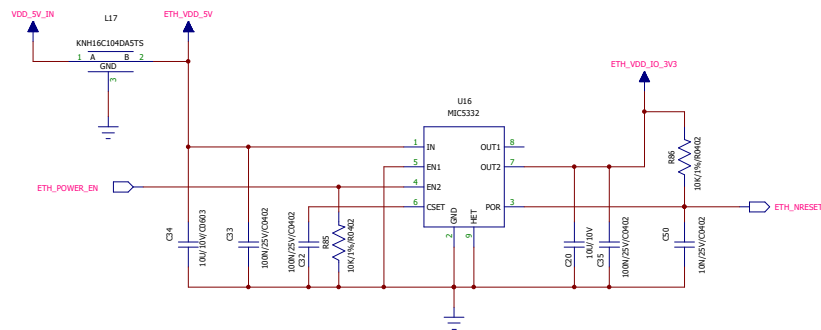
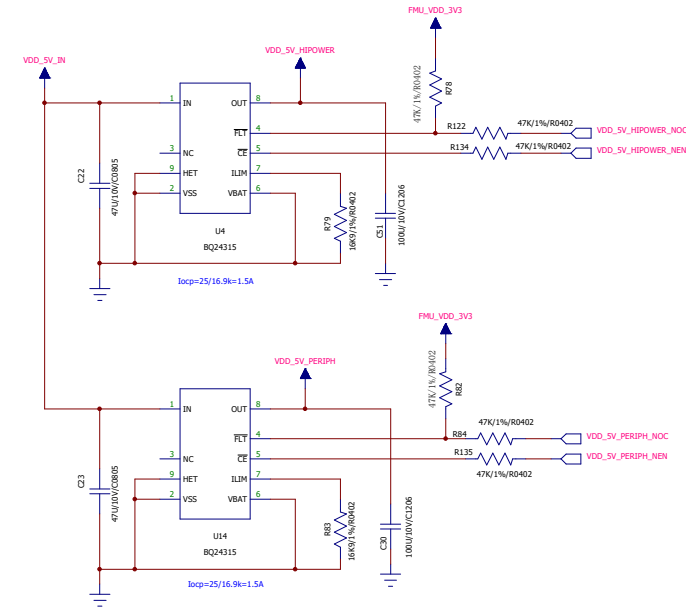
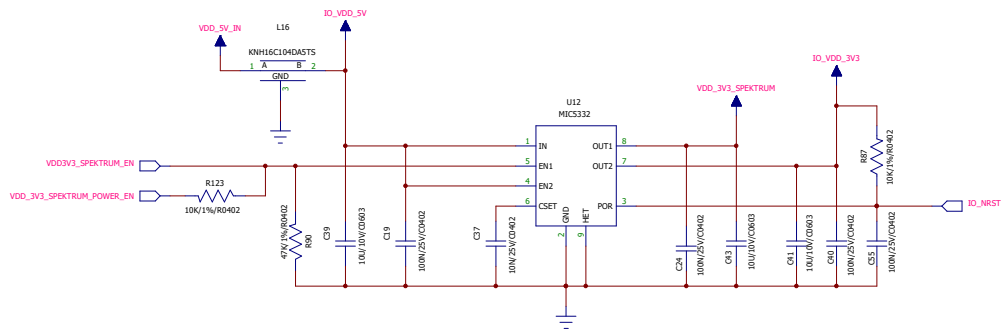
Quality Control: **Jamming** DATED: **2022/1/10**

Released: **Jamming** DATED: **2022/1/10**

CODE: **027** SIZE: **A2** Sheet: **Power MUX** REV: **RC04**

SCALE: 1:1 SHEET: 7 of 11

REVISION RECORD			
LTR	ECO NO:	APPROVED:	DATE:

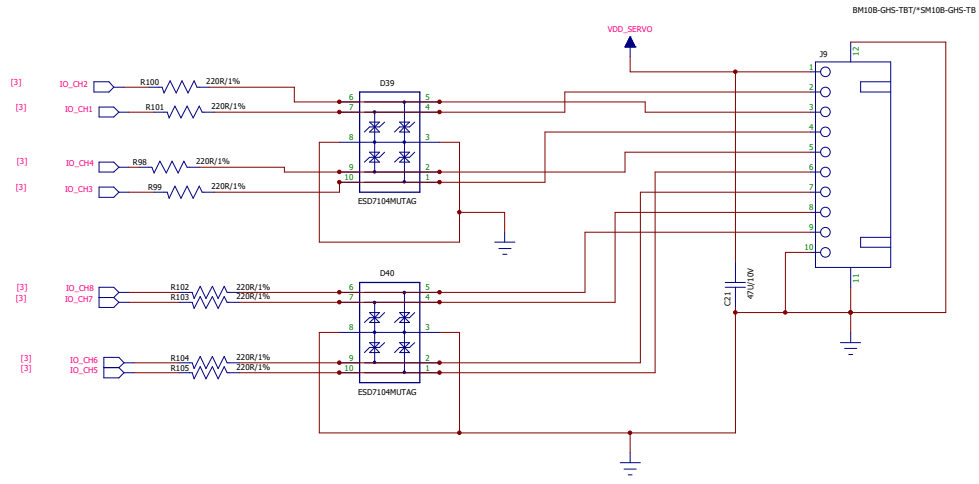
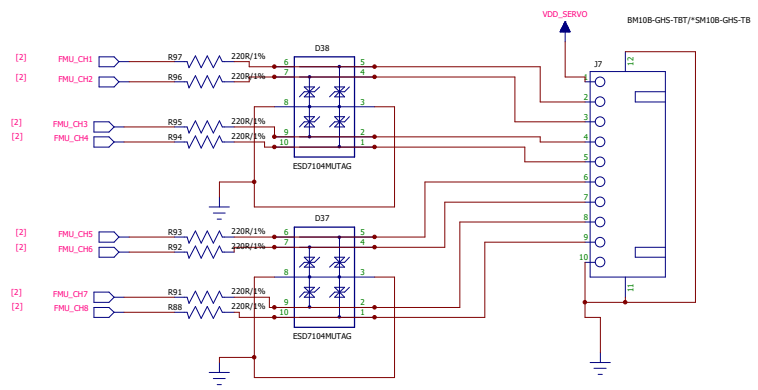


For Long Range, bidirectional RC receiver
350mA current limited make it work more stable

COMPANY: Holybro			
Sheet: FMUVX-BASE-MINI			
CODE: 027	SIZE: A2	Sheet: Power	REV: RC04
SCALE: 1:1			SHEET: 8 of 11

DRAWN: Jamming	DATED: 2022/1/10
CHECKED: Jamming	DATED: 2022/1/10
QUALITY CONTROL: Jamming	DATED: 2022/1/10
RELEASED: Jamming	DATED: 2022/1/10

REVISION RECORD			
LTR	ECO NO:	APPROVED:	DATE:



COMPANY: Holybro			
Sheet: FMUVX-BASE-MINI			
CODE: 027	SIZE: A2	Sheet: PWM Out	REV: RC04
SCALE: 1:1		SHEET: 9 of 11	

DRAWN: Jamming	DATED: 2022/1/10
CHECKED: Jamming	DATED: 2022/1/10
QUALITY CONTROL: Jamming	DATED: 2022/1/10
RELEASED: Jamming	DATED: 2022/1/10

D

D

C

C

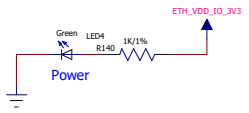
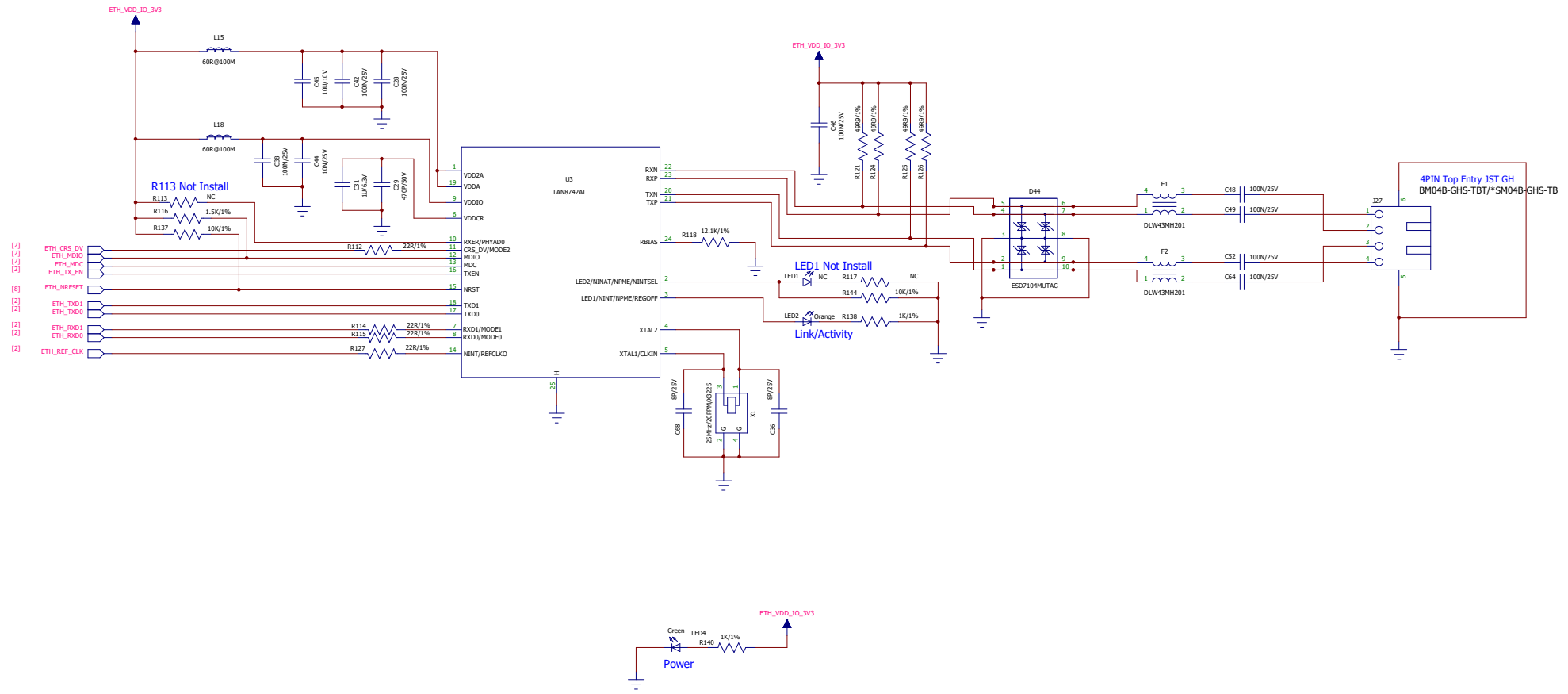
B

B

A

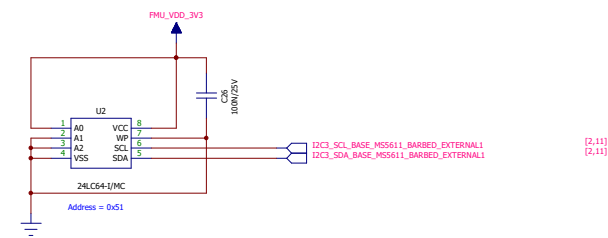
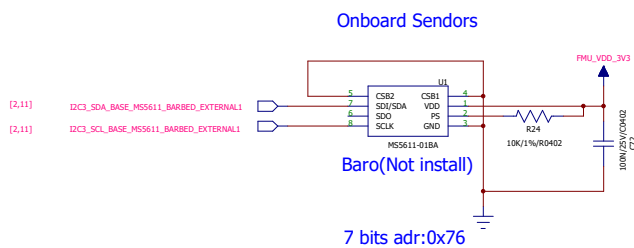
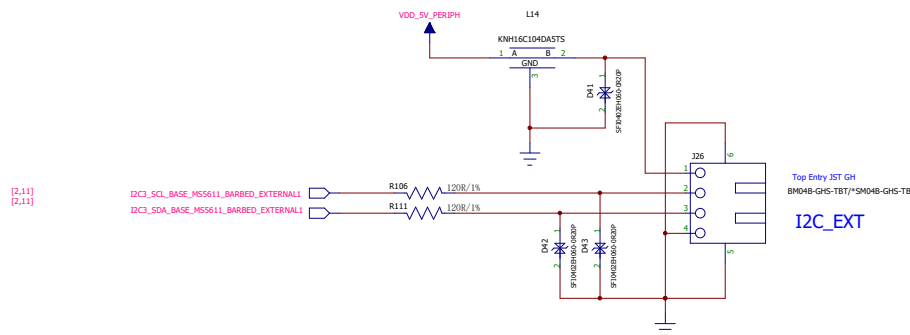
A

REVISION RECORD			
LTR	ECO NO:	APPROVED:	DATE:



COMPANY: Holybro			
Sheet: FMUVX-BASE-MINI			
DRAWN: Jamming	DATED: 2022/1/10	CODE: 027	SIZE: A2
CHECKED: Jamming	DATED: 2022/1/10	Sheet: Ethernet 100Base-TX	
QUALITY CONTROL: Jamming	DATED: 2022/1/10	REV: RC04	
RELEASED: Jamming	DATED: 2022/1/10	SCALE: 1:1	SHEET: 10 of 11

REVISION RECORD			
LTR	ECO NO:	APPROVED:	DATE:



COMPANY:				Holybro							
TITLE:				FMUVX-BASE-MINI							
DRAWN:	Jamming	DATED:	2022/1/10	CODE:	027	SIZE:	A2	Sheet:	Sensors and EXT I2C	REV:	RC04
CHECKED:	Jamming	DATED:	2022/1/10	SCALE: 1:1		SHEET: 11 of 11					
QUALITY CONTROL:	Jamming	DATED:	2022/1/10								
RELEASED:	Jamming	DATED:	2022/1/10								